

W&T

www.WuT.de

Manual

Startup and Application

Plug-in power supplies 24V DC

valid for the following model:

#11021 Power supply 24V/0,5A Euro

Release 04/2018

© 04/2018 by Wiesemann & Theis GmbH

Subject to error and alteration:

Since it is possible that we make mistakes, you mustn't use any of our statements without verification. Please, inform us of any error or misunderstanding you come about, so we can identify and eliminate it as soon as possible.

Carry out your work on or with W&T products only to the extent that they are described here and after you have completely read and understood the manual or guide. We are not liable for unauthorized repairs or tampering. When in doubt, check first with us or with your dealer.

Inhalt

1. Preamble	4
2. Legal Notices	5
Warning note concept	5
Qualified personnel	6
Disposal	6
3. Safety instructions	7
General precautions	7
Intended use	7
Installation.....	7
Electrical Safety	8
EMC	9
4. Function	10
5. Connections.....	11
Output connector	11
6. Housing and dimensions	12
7. Technical specifications.....	13

1. Preamble

As an accessory to its interface converters, Com-Servers and Web-IOs, W&T offers the plug-in power supply model #11021, which is described in this guide along with its properties and technical data.

Additional information, applications and a complete Declaration of Conformity for the described devices can be found on the respective datasheet pages on the W&T Homepage at <http://www.wut.de>.

2. Legal Notices

Warning note concept

This manual contains notes which must be observed for your personal safety and to prevent equipment damage. The notes are called out with a warning triangle. Depending on the hazard level the warning notes are represented in decreasing order of hazard as follows:

DANGER

Indicates a hazard which will result in death or serious injury if no appropriate safety measures are taken.

WARNING

Indicates a hazard which can result in death or serious injury if no appropriate safety measures are taken.

CAUTION

Indicates a hazard which can result in slight injury if no appropriate safety measures are taken.

NOTE

Indicates a hazard which can result in equipment damage if no appropriate safety measures are taken.

When multiple hazard levels are present the warning note for the highest level is used. If the warning triangle for personal injury is used, then a warning for equipment damage may also be added in the same warning note.

Qualified personnel

The product described in this manual may be installed and placed in operation only by personnel who are qualified for the respective task.

In addition the documentation for the respective task must be followed, especially the safety and warning notes included in it.

Qualified personnel have received training and experience which enable them to recognize risks associated with handling the described products and to avoid possible hazards.

Disposal

Electronic devices may not be disposed of with household waste, but rather be brought to a proper electronics waste disposal facility.

3. Safety instructions

General precautions

DANGER

This manual is intended for the installer of the described power supply and must be read and understood before beginning any work. Not following the instructions may result in fatal or serious injuries. The power supply is to be installed and placed in service only by qualified personell.

Intended use

DANGER

The intended use of the power supply is the use in accordance with the information provided in the manual. The power supply may be operated only using the maximum permitted connection values according to the technical data. Any other use or modification is considered to be improper.

Installation

DANGER

Please do not install the power supply in places with high ambient temperature or near heat sources. Please refer to the specification of the maximum ambient temperature.

Output current and output power must not exceed the rated values of the specifications.

Electrical Safety

DANGER

Protection for operating personnel and the equipment is only ensured if the power supply is used as specified. Any use other than described in this manual will compromise the safety and function of the power supply and any connected systems.

There are no user serviceable parts inside the enclosure. Opening and manipulating the device or making any changes is extremely dangerous and is therefore not permitted.

Responsibility for adhering to the local prevailing safety regulations lies with the operator.

If faults cannot be remedied, take the power supply out of service and guard it against unintentional startup. Tampering with and modifying the power supplies is hazardous and is therefore not permitted.

Note the following points for use:

- Do not permit ambient temperatures which exceed the range of 0°C...50°C.
- Do not use the power supply if there is visible damage to the housing or cable.
- The power supply should never be installed in areas which are subject to moisture or condensation, unusual environmental conditions, continuous vibration or strong temperature fluctuations, and do not use outdoors.
- Disconnect the power supply from the mains when thunderstorms are present or when it will not be used for longer periods of time.
- Do not pull on the cable to disconnect the power supply from the mains.

- The power supply is maintenance-free. Do not open it. Otherwise there is the risk of electrical shock.
- No modifications to the power supply are permitted.
- Before cleaning disconnect the plug-in power supply from the mains. Do not use chemical agents for cleaning.
- Any repair must be performed by authorised specialists only.

EMC

NOTE

The power supply meets the noise immunity limits for IT equipment and the emission limits for household and small businesses.

In EMC respects the power supply is considered as an independent unit, but the final equipment still need to re-confirm that the whole system complies with the EMC directives.

4. Function

The plug-in power supply model 11021 is an 12 Watts switching power supply with an output voltage of 24V DC and a wide input range of 100...240V AC.

The power supply is compatible with all W&T devices and has an operating temperature range of 0°C...50°C to cover office or small business applications.

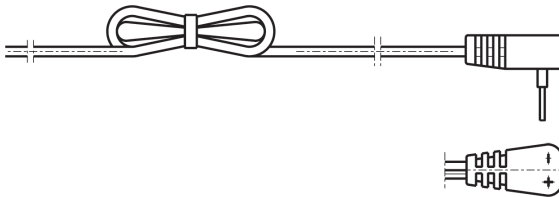
5. Connections

Mains connector

The power supply 11021 comes with an integrated, not changeable Euro plug for providing the supply voltage.

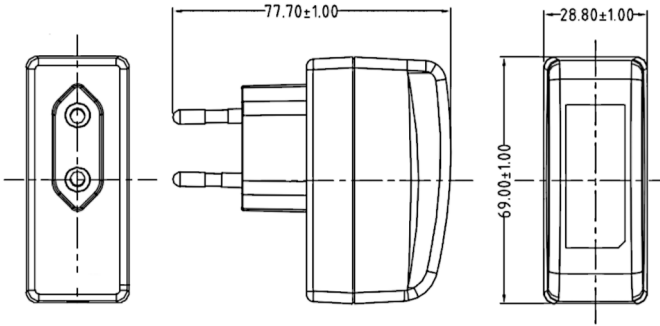
Output connector

The power supply includes a 5.9 feet long secondary cable with a special connector for screw terminals at the end. The polarity is indicated on the connector with “+” and “-”:



6. Housing and dimensions

The dimensions of the plug-in power supply 11021 can be seen in the following drawing:



7. Technical specifications

Manufacturer:	GlobTec, Inc. GlobTek Deutschland GmbH Hafenweg 26a 48155 Münster / Germany
Model:	GT-86121-1224-W2E
Rated power:	max. 12W (Limited Power Source)
Efficiency (min):	according to DoE Level VI
No load power:	< 0,1W
Input voltage:	100...240VAC
Frequency:	50...60 Hz
Input current:	max. 0,5A
Output voltage:	24V DC
Tolerance:	±5%
Ripple:	max. 200mVss
Rated current:	0,5A, short circuit protected
Minimum load:	none
Withstand voltage:	In-Out: 3KV AC
Leakage current:	< 0,25mA
Operating temperature:	0...50°C
Storage temperature:	-20...60°C
Relative humidity:	5...90% r.F. (non-condensing)
Mains plug connector:	Integrated Euro mains plug
Output plug connector:	connector for screw-type terminal
Cable type:	twin wire
Cable length:	5,9 feet
MTBF:	200.000 hours (per MIL HDBK-217F at 25°C)
Weight:	3.53 oz
Dimensions:	2.7 x 1.2 x 3.2 inch

Approvals:	CE
Safety standard:	EN 60950-1
EMC standards:	
Emission:	EN 55032, Cl. B
	EN 61000-3-2
	EN 61000-3-3
Immunity:	EN 55024
	EN 61000-4-2
	EN 61000-4-3
	EN 61000-4-4
	EN 61000-4-5
	EN 61000-4-6
	EN 61000-4-8
	EN 61000-4-11

Wiesemann & Theis GmbH
Porschestra. 12
D-42279 Wuppertal

Mail info@WuT.de
Web www.WuT.de

Tel. +49 (0) 202/2680-110
Fax +49 (0) 202/2680-265