

Application for the Web-IO Digital:

The Web-IO as FTP data logger

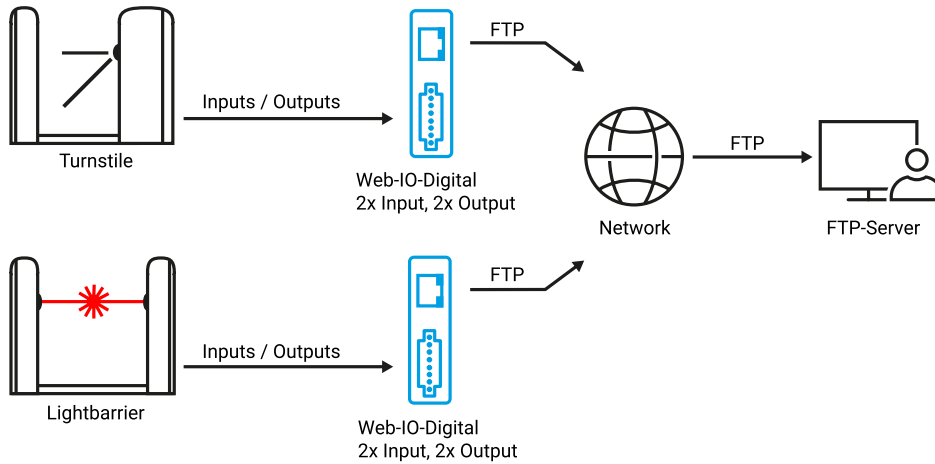
- Product overview
- Application overview

Often records of technical process events are required, such as:

- When was a door opened, and when was it closed again?
- How often was the beam of a photoelectric sensor interrupted during a particular time interval?
- How long did a motor run?

Increasingly stringent quality requirements demand increasingly precise operational data acquisition. But even independent retail establishments are becoming more interested in recording and evaluating data on customer frequency.

With the Web-IO Digital you can write such data to a file along with a time stamp using FTP (File Transfer Protocol).



The following example shows the steps needed to acquire visitor numbers at a department store entry.

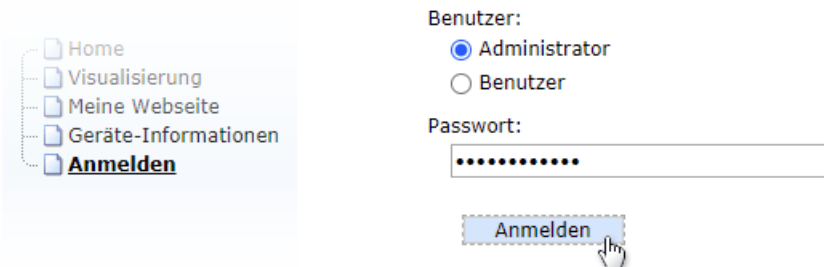
Preparations

- Provide power to the Web-IO and connect the IOs
- Connect the Web-IO to the network
- Assign IP addresses

Configure Web-IO for FTP and create actions for writing to file

For the browser to have access, the Web-IO must already have an IP address.

- To change the configuration of the Web-IO you first need to obtain the necessary access rights by entering the administrator password.



- First check whether all the IP parameters are correctly configured. Especially when the FTP server is addressed using a host name it is important that both the gateway and the DNS server are entered. To do this, in the menu tree select *Basic settings* >> *Network* and there *Basic network settings*.

Basic network settings		↑
TCP/IP settings:	IP-Address assignment:	i
	<input type="text" value="static"/>	
	IP address:	i
	<input type="text" value="192.168.0.25"/>	
	Subnet mask:	
	<input type="text" value="255.255.255.0"/>	
	Gateway:	
	<input type="text" value="192.168.0.1"/>	
DNS settings:	DNS server 1:	i
	<input type="text" value="192.168.0.1"/>	🔍
	DNS server 2:	
	<input type="text" value="8.8.8.8"/>	🔍

- All the configuration changes must be confirmed using the *Apply* button.
- To configure FTP access to to the menu tree and select *Communication channels >> FTP*.

FTP basic settings		↑
FTP client:	<input checked="" type="checkbox"/> active	i
	User:	
	<input type="text" value="WebIO25"/>	
	Password:	
	<input type="text" value="*****"/>	
	Account:	
	<input type="text"/>	
	FTP server:	
	<input type="text" value="ftp.companyxy.com"/>	🔍
	FTP server port:	
	<input type="text" value="21"/>	
	Passiv mode:	
	<input type="checkbox"/> active	
FTP messages:	New FTP messages can be added using the menu item "Actions".	i



- Enter the access data for the FTP server.
- In the menu tree click on *Actions* and then on the *Add* button.

settings	
Action:	<input checked="" type="checkbox"/> active i
Action name:	FTP Logging i
Trigger:	Input i Input: i <input type="text" value="Input 0"/> v when changing to: <input type="radio"/> OFF <input checked="" type="radio"/> ON <input type="radio"/> OFF or ON
Action:	<input type="text" value="FTP message"/> v i FTP local data port: i <input type="text" value="AUTO"/> FTP file name: <input type="text" value="CNC25.log"/> FTP text: <input type="text" value="<t> - Process started"/> v Clear message - FTP text: <input type="text" value="<t> - Process stoped"/> v Options: <input checked="" type="radio"/> STORE <input type="radio"/> APPEND while trigger is present: i <input checked="" type="radio"/> Send FTP message once <input type="radio"/> send FTP message cyclically

✔ Apply Cancel

- Assign a meaningful name for your action and select the *trigger* for writing using FTP.
- As the *action* select *FTP Message* and configure *FTP file name* and *FTP text* (if needed also for the *Clear message*). In the *FTP text* move the cursor to the end of the line by pressing the Enter key. Now each entry in the file will be in its own line. The <t> tag is replaced with date and time when writing to the file.

Once these steps are completed, any changes in the connected switching states are collected in one or more files chronologically.

You don't have a Web-IO yet but would like to try the example out sometime?

No problem: We will be glad to send you a unit at no charge for 30 days. Simply fill out the sample order form and we will ship the Web-IO on open invoice for testing. If you return the device within 30 days, we will cancel the invoice.

[To the Web-IOs](#)

Are you still uncertain which Web-IO is best for your needs?

Our qualified team of engineers will be glad to assist you. You can reach us by telephone at +49 202/2680-110 or by email at info@wut.de.



We are available to you in person:

Wiesemann & Theis
 GmbH
 Porschestra. 12
 42279 Wuppertal
 Phone: +49 202/2680-110 (Mon.-Fri. 8 a.m. to 5 p.m.)
 Fax: +49 202/2680-265
info@wut.de

© Wiesemann & Theis GmbH, subject to mistakes and changes: Since we can make mistakes, none of our statements should be applied without verification. Please let us know of any errors or misunderstandings you find so that we can become aware of and eliminate them.

[Data Privacy](#)