

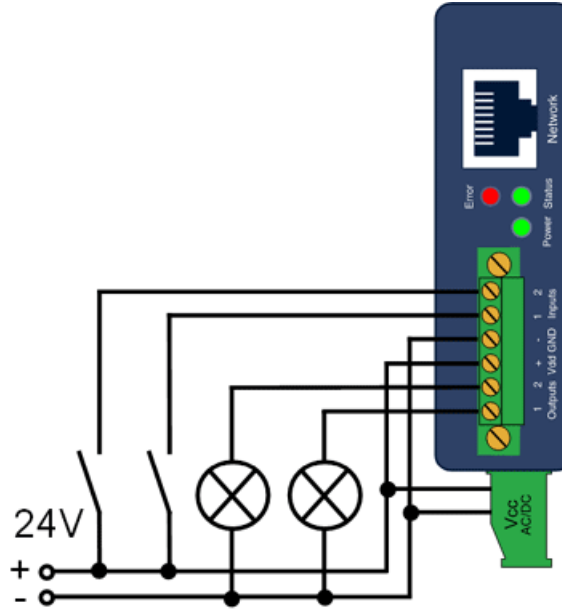
Application for the Web-IO Digital:

Web-IO Digital - Supply voltage and input/output circuit

Product overview

Application overview

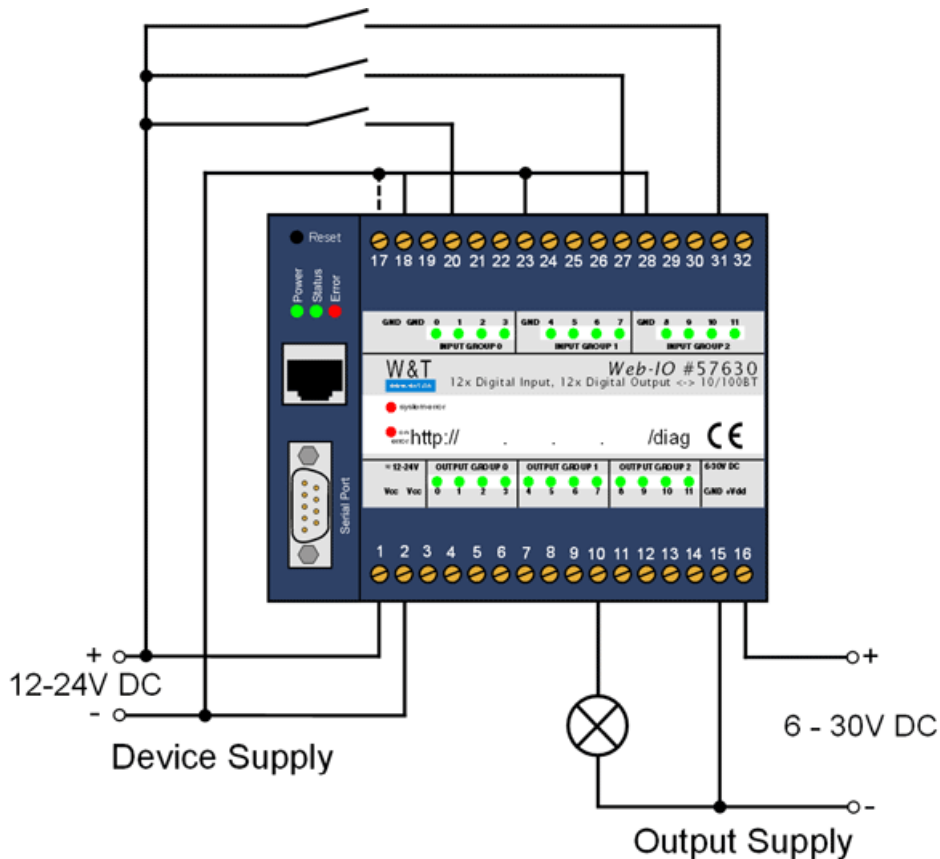
Web-IO Digital 2 x Input, 2 x Output, Model #57637



Device and Output Supply

In the wiring example shown inputs, outputs and the Web-IO itself are powered from the same source. Alternately the inputs and outputs can be supplied with up to 30V if the Web-IO is supplied separately with max. 24V.

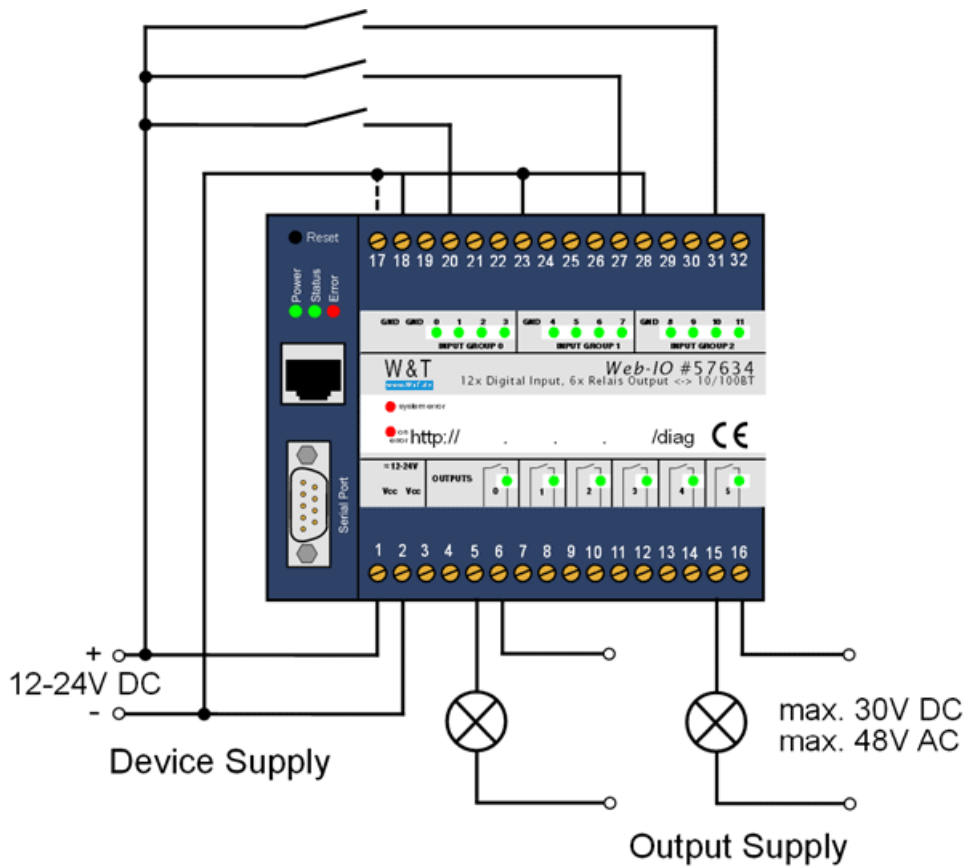
Web-IO Digital 12 x Input, 12 x Output, Model #57630



In the wiring example shown the outputs are supplied separately. This makes output voltages of up to 30V possible. Of course the outputs can instead be supplied by the same source as the Web-IO. The maximum voltage in this case is 24V. The inputs are current

sinking and may alternately be driven using active signals between -30 and +30V.

Web-IO Digital 12 x Input, 6 x Relay Type #57634



The inputs of the Web-IO 57634 are technically identical to those of the 57630. The outputs however use potential-free contacts.



We are available to you in person:

Wiesemann & Theis
GmbH
Porschestra. 12
42279 Wuppertal
Phone: +49 202/2680-110 (Mon.-Fri. 8 a.m. to 5 p.m.)
Fax: +49 202/2680-265
info@wut.de

© Wiesemann & Theis GmbH, subject to mistakes and changes: Since we can make mistakes, none of our statements should be applied without verification. Please let us know of any errors or misunderstandings you find so that we can become aware of and eliminate them.

[Data Privacy](#)