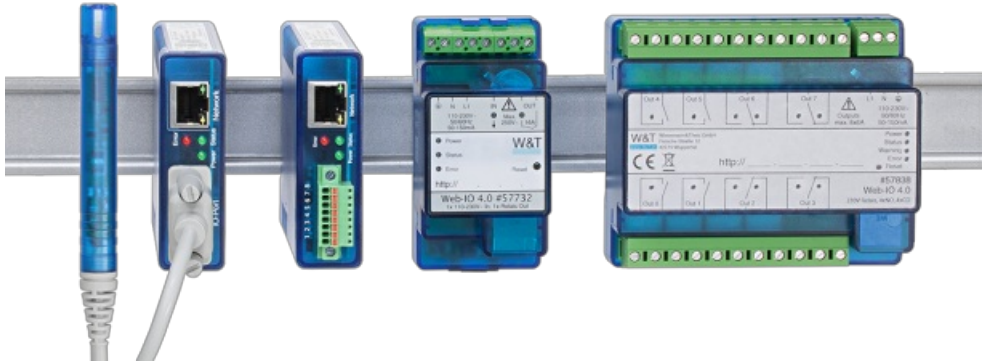


Introduction:

Web-IO®

Detect, monitor and control in the network



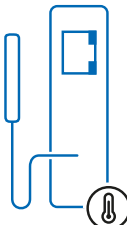
Web-IOs are components for implementing small and medium-size remote IO and monitoring applications over TCP/IP Ethernet.

Each Web-IO has a user-friendly user interface and can be used as a stand-alone device for direct access to individual IO or measuring points. Then for example digital outputs are switched via MQTT or e-mail messages are sent when one of the inputs changes its state.

For larger installations with multiple Web-IOs the Motherbox can be used as a practical "control center".

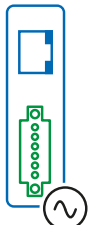
A variety of M2M protocols on the application and network level (such as OPC UA, Modbus/TCP, REST and SNMP, ...) continues to support integration into existing MES, Scada or monitoring systems.

Sensors, analog and digital IO



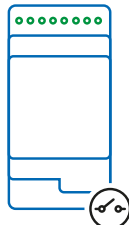
Web Thermometers

detect sensor values such as temperature, relative humidity, barometric pressure or CO2 concentration.



Web-IO Analog

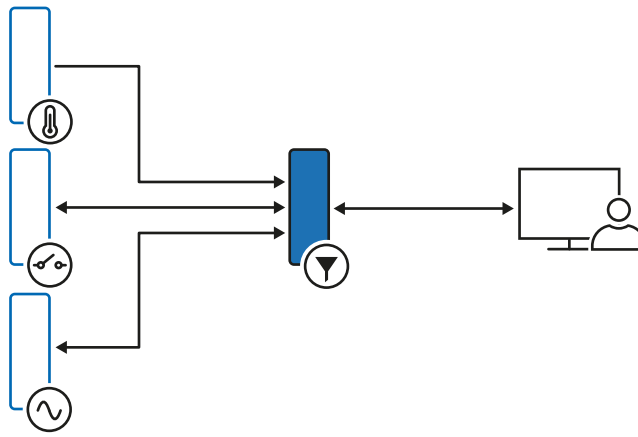
detect and set 0-10V and 0/4-20mA signals. External sensors for variables such as flow, level or weight are read and actuators such as motors, valves etc. controlled.



Web-IO Digital

detect and switch fault reporting contacts, control signals and relays (24V) and mains voltage (230V).

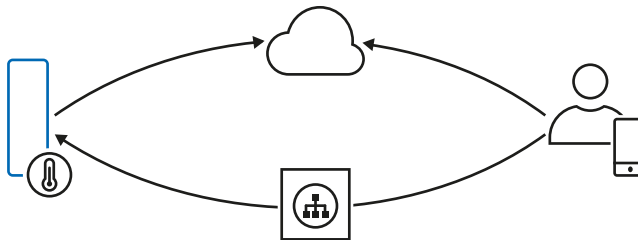
Edge Computing



The **Motherbox** is the switching and control center for the Web-I/Os. A graphical interface represents the input and measurement values of the connected devices and lets you switch and set values on the outputs. The integrated database records measurement values and states. These data can be exported for logs and reports.

The **rule.box** is an individual programmable application server that makes it possible to use Node-RED for developing individual automation solutions. For data communication models with serial interface, network terminal, switchable in- and outputs and USB are available.

Cloud and mobile access with Web-IO2Go




The **W&T Cloud** is a free service of Wiesemann & Theis that allows you to access your measurement values from anywhere in the world.


WebIO2Go is an app for Android and iOS that lets you access the Web-I/Os in your network through your mobile phone.

Conceptualizing, consultation and support


You can reach our engineers by phone at +49 202/2680-110 (Mon.-Fri. 8 a.m. to 5 p.m.)



Digital I/O
Frank Thiel
f.thiel@wut.de



Analog I/O and Climate
Marc Lüppken
m.lueppken@wut.de



Cloud and Edge
Patrick Knabe
p.knabe@wut.de

For all questions about our products and for technical problems just call **our staff** for help. Also, a number of technical offices can assist you in the planning and implementation of your automation project and activities.



We are available to you in person:

Wiesemann & Theis GmbH
Porschestr. 12
42279 Wuppertal
Phone: +49 202/2680-110 (Mon.-Fri. 8 a.m. to 5 p.m.)
Fax: +49 202/2680-265
info@wut.de

© Wiesemann & Theis GmbH, subject to mistakes and changes: Since we can make mistakes, none of our statements should be applied without verification. Please let us know of any errors or misunderstandings you find so that we can become aware of and eliminate them.

[Data Privacy](#)